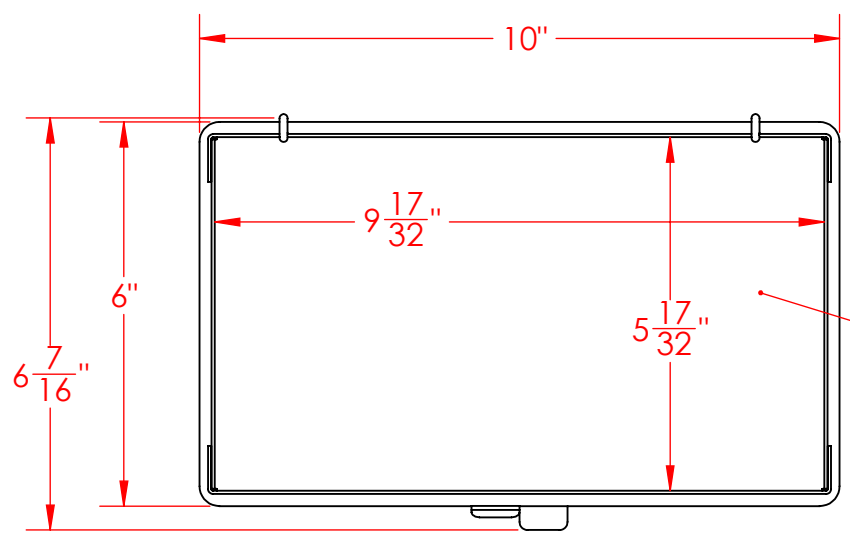


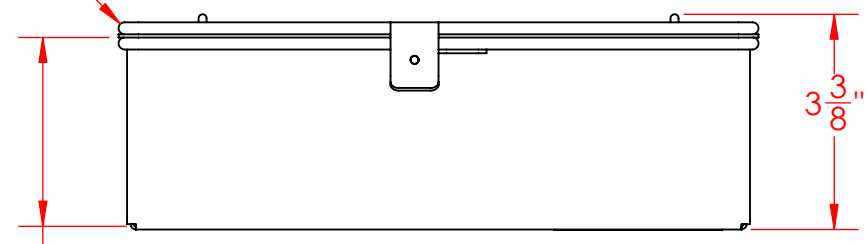
8 7 6 5 4 3 2 1

D  
C  
B  
A

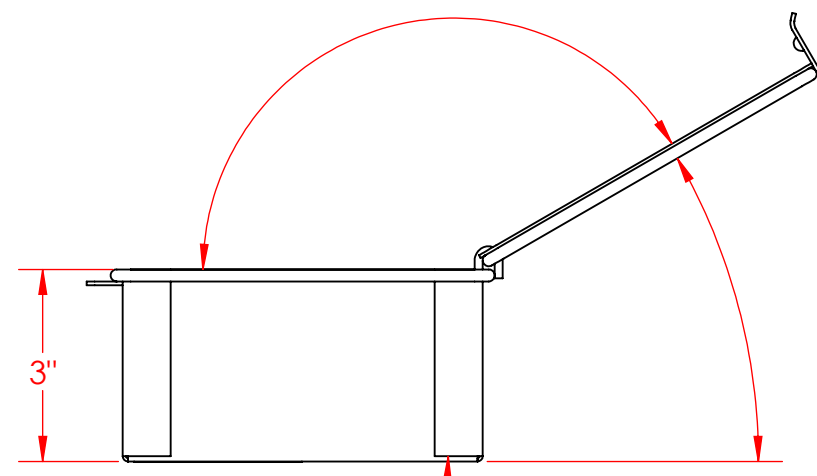


Lid Removed from View to show Approximate Inside Dimensions

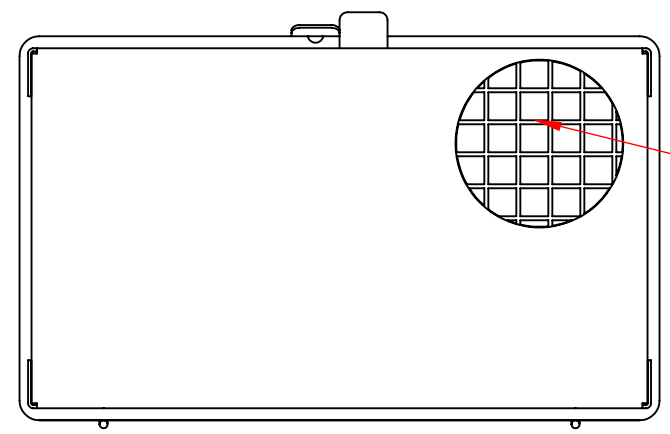
$\phi \frac{3}{16}$ "  
Rod Frame



$2 \frac{15}{16}$ "  
Height Under Lid



Mesh Flaps to Close and Secure Corners



One Piece Mesh Body of 2 Mesh x .063" Welded Wire (.437" Openings, 76% Open Area)



UNLESS OTHERWISE SPECIFIED:  
DIMENSIONS ARE IN INCHES  
TOLERANCES:  
FRACTIONAL  $\pm 1/16$ "  
ANGULAR:  $\pm 5$  DEG.  
TWO PLACE DECIMAL  $\pm 0.03$   
THREE PLACE DECIMAL  $\pm 0.015$

EST WGT  
1.4 lbs.  
MATERIAL  
304 Stainless Steel  
FINISH  
Natural

Light Duty Mesh Basket: 10Lx6Wx3H, 304 SS, Hinged Lid with Thumb Clasp, No Handles, Mesh: 2 x .063

SIZE **B** DWG. NO. FLB-100060030-L02S

**PROPRIETARY AND CONFIDENTIAL**  
THE INFORMATION CONTAINED IN THIS DRAWING IS THE SOLE PROPERTY OF THREE M TOOL. ANY REPRODUCTION IN PART OR AS A WHOLE WITHOUT THE WRITTEN PERMISSION OF THREE M TOOL IS PROHIBITED.

DO NOT SCALE DRAWING

SCALE: 1:3

SHEET 1 OF 1

8 7 6 5 4 3 2 1